

- o Flat Cable Connectors SEK
- o *har-mik®*
- o D-Sub
- o InduCom

Applications



Product details

09 21 040 3001

Male insert, Han 40 D

Series	Han D®, Han D® AV
Number of contacts	40 poles + PE
Size of hood/ housing	Han® 16 B
Termination	Crimp termination
Insert material	Standard material
Contacts	Order separately
Electrical data	10 A 250 V 4 kV 3
RoHS compliant	Yes

Available Downloads

Title	Format	
Data sheet	PDF	↕ download
CAD data 2D	DXF	↕ download
CAD data 3D	IGES	↕ download
CAD data 3D	STEP	↕ download

Inquiry

5

4

3

2

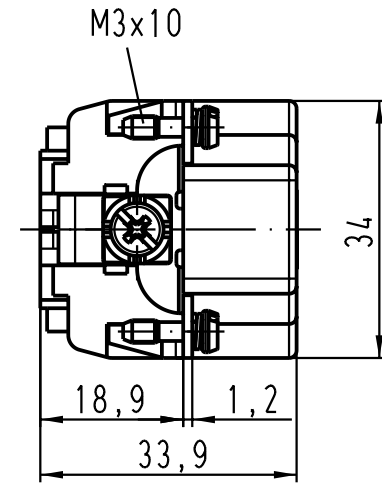
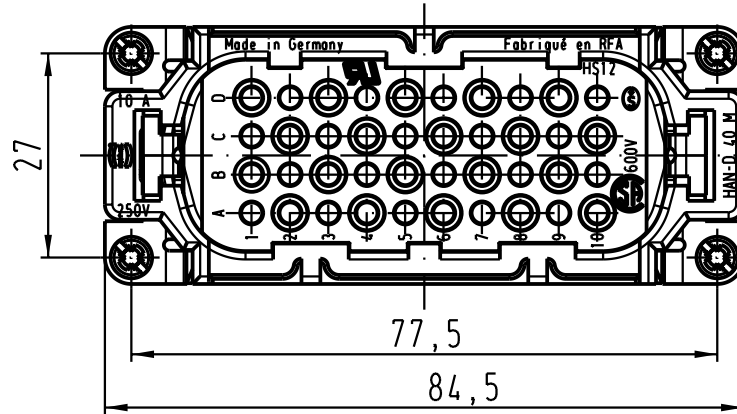
1

D

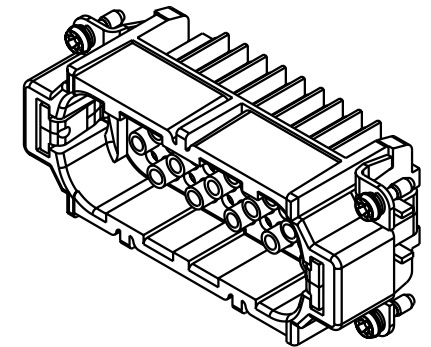
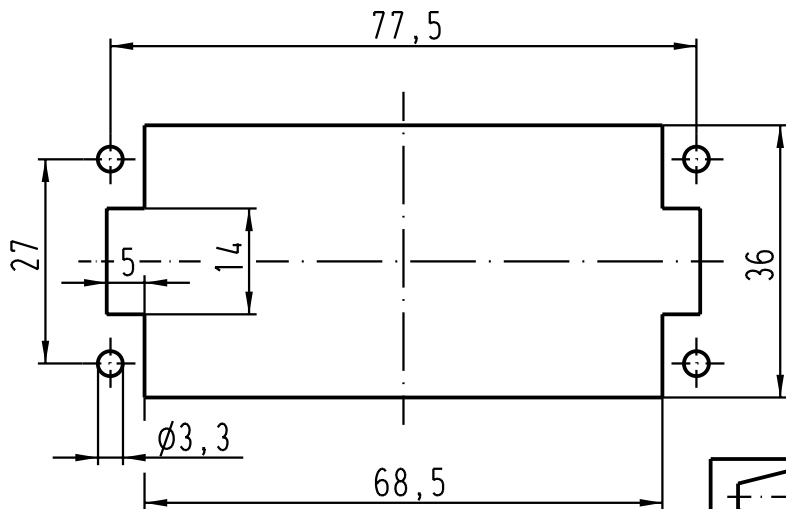
C

B

A



Montageausschnitt/
panel cut out



All Dimensions in mm Original Size DIN A 4			Techn. Character.			Nicht tolerierte Masse / Free size tolerances		
				Dat.	Name	Mastab / Scale		
			Detail.	12.04.99	KR	1:1		
			Insp.		SDT.			
			Stand.					
410526	18.07.03	Ho	HARTING Electric GmbH & Co. KG			TB 09 21 040 3001		
25626			D-32339 Espelkamp					
Mod.	Dat.	Name						